

**SPECIFICATION SHEET FOR SQUARE AND RECTANGULAR BELLOWS AND**

**WAYCOVERS**

**BELLOWS MATERIALS**

NEOPRENE COATED NYLON

BLACK

\_\_\_ .018 \_\_\_ .022 \_\_\_ .040

HYPALON COATED NYLON

(BLACK)

\_\_\_ .022

ALUMINUM COATED FIBERGLASS

\_\_\_ .020

TEFLON COATED FIBERGLASS

\_\_\_ .020

SILICONE IMPREGNATED

FIBERGLASS

\_\_\_ .010 \_\_\_ .018

PVC

TRANSLUCENT

\_\_\_ .008 \_\_\_ .012

\_\_\_ .016 \_\_\_ .020

POLYURETHANE

TRANSLUCENT

\_\_\_ .005 \_\_\_ .010

\_\_\_ .020 (HIGH TEMP)

BLACK

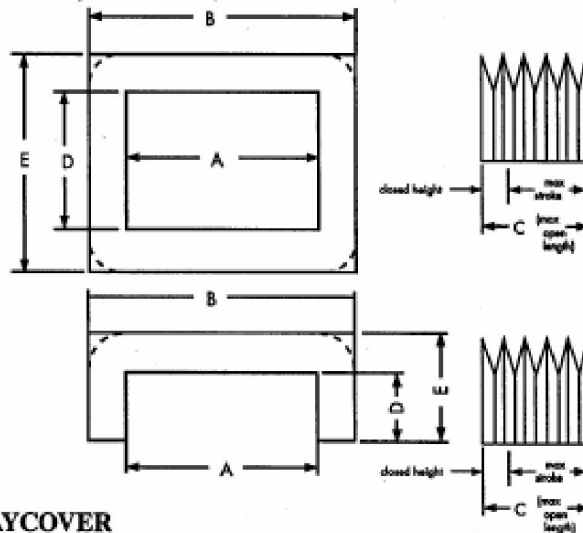
\_\_\_ .010 \_\_\_ .015 \_\_\_ .020 \_\_\_ .040

\_\_\_ .010 (HIGH TEMP)

\_\_\_ .022 (POLY COATED NYLON)

RED

\_\_\_ .022 (HIGH TEMP)



WAYCOVER \_\_\_  
BELLOW \_\_\_ (Check One)

QTY.(S) OF BELLOWS:

\_\_\_\_\_  
\_\_\_\_\_  
\_\_\_\_\_

DIMENSIONAL DATA

A \_\_\_\_\_  
B \_\_\_\_\_  
C \_\_\_\_\_  
D \_\_\_\_\_  
E \_\_\_\_\_

STROKE \_\_\_\_\_  
CLOSED HEIGHT \_\_\_\_\_

APPLICATION:

HORIZONTAL \_\_\_\_\_  
VERTICAL \_\_\_\_\_  
SMOOTH ROD \_\_\_\_\_  
THREADED ROD \_\_\_\_\_

SPECIFY POPULAR  
OPTIONS:

ZIPPER \_\_\_\_\_  
BREATHER VENTS \_\_\_\_\_  
BALL SCREW GUIDE \_\_\_\_\_  
HOSE CLAMPS \_\_\_\_\_  
STIFFENERS \_\_\_\_\_  
FLANGE PLATES \_\_\_\_\_  
OTHER \_\_\_\_\_

OPERATING CONDITIONS:

DUST \_\_\_\_\_ DIRT \_\_\_\_\_ OIL \_\_\_\_\_ (WHAT KIND?) \_\_\_\_\_ WATER \_\_\_\_\_  
CERAMIC DUST OR POWDER \_\_\_\_\_ CHEMICALS \_\_\_\_\_ (WHAT KIND?) \_\_\_\_\_  
MUST BELLOWS BE COMPLETELY AIR OR MOISTURE TIGHT? \_\_\_\_\_ IS VENTING POSSIBLE? \_\_\_\_\_  
#OF STROKES PER MINUTE \_\_\_\_\_ POSSIBLE MECHANICAL ABUSE? \_\_\_\_\_  
OPERATING TEMP. LIMITS \_\_\_\_\_ (MAX.)- \_\_\_\_\_ (MIN.)  
PLEASE LIST ANY SPECIAL CONDITIONS. \_\_\_\_\_

COMPANY: \_\_\_\_\_  
STREET: \_\_\_\_\_  
CITY \_\_\_\_\_ STATE. \_\_\_\_\_ ZIP: \_\_\_\_\_  
CONTACT: \_\_\_\_\_  
TEL: \_\_\_\_\_  
FAX: \_\_\_\_\_

**GAGNE, INC.**

41 Commercial Drive, Johnson City, NY 13790

Ph: (607) 729-3366 Fax: (607) 729-7644

Ph: (800) 800-5954

or visit our website at [www.gagneinc.com](http://www.gagneinc.com)

(See reverse side)

## SPECIFICATION SHEET FOR ROUND BELLOWS

### TYPICAL END CONNECTIONS

#### BELLOWS MATERIALS

NEOPRENE COATED NYLON  
(BLACK)

\_\_\_ .018 \_\_\_ .022 \_\_\_ .040

HYPALON COATED NYLON  
(BLACK)

\_\_\_ .022

ALUMINUM COATED FIBERGLASS  
\_\_\_ .020

TEFLON COATED FIBERGLASS  
\_\_\_ .20

SILICONE IMPREGNATED FIBERGLASS  
\_\_\_ .010 \_\_\_ .018

PVC

TRANSLUCENT

\_\_\_ .008 \_\_\_ .012

\_\_\_ .016 \_\_\_ .020

POLYURETHANE

TRANSLUCENT

\_\_\_ .005 \_\_\_ .010

\_\_\_ .020 (HIGH TEMP)

BLACK

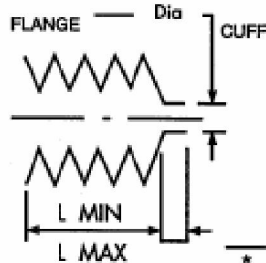
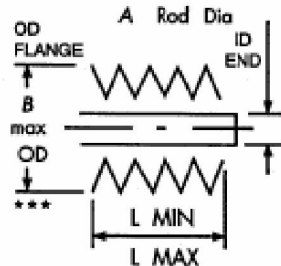
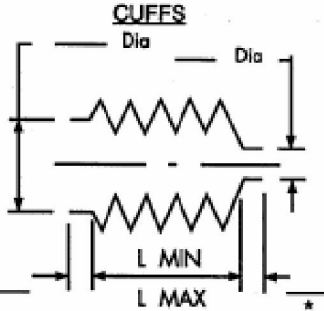
\_\_\_ .010 \_\_\_ .015 \_\_\_ .020 \_\_\_ .040

\_\_\_ .010 (HIGH TEMP)

\_\_\_ .022 (POLY COATED NYLON)

RED

\_\_\_ .022 (HIGH TEMP)



#### QTY.(S) OF BELLOWS:

\_\_\_\_\_  
\_\_\_\_\_  
\_\_\_\_\_

#### DIMENSIONAL DATA

A. ROD DIA. \_\_\_\_\_

I.D. \_\_\_\_\_

B. MAX.\* OD \_\_\_\_\_

LENGTH OPEN \_\_\_\_\_

LENGTH CLSD. \_\_\_\_\_

\* FOR LOWEST COST SPECIFY  
LARGEST POSSIBLE O.D.

PLEASE SPECIFY CUFF OR  
FLANGE INFORMATION DIRECTLY  
ON DIAGRAMS

#### APPLICATION:

HORIZONTAL \_\_\_\_\_

VERTICAL \_\_\_\_\_

SMOOTH ROD \_\_\_\_\_

THREADED ROD \_\_\_\_\_

#### SPECIFY POPULAR

##### OPTIONS:

ZIPPER \_\_\_\_\_

BREATHER VENTS \_\_\_\_\_

BALL SCREW GUIDE \_\_\_\_\_

HOSE CLAMPS \_\_\_\_\_

STIFFENERS \_\_\_\_\_

FLANGE PLATES \_\_\_\_\_

OTHER \_\_\_\_\_

#### OPERATING CONDITIONS:

DUST \_\_\_\_\_ DIRT \_\_\_\_\_ OIL \_\_\_\_\_ (WHAT KIND?) \_\_\_\_\_ WATER \_\_\_\_\_

CERAMIC DUST OR POWDER \_\_\_\_\_ CHEMICALS \_\_\_\_\_ (WHAT KIND?) \_\_\_\_\_

MUST BELLOWS BE COMPLETELY AIR OR MOISTURE TIGHT? \_\_\_\_\_ IS VENTING POSSIBLE? \_\_\_\_\_

#OF STROKES PER MINUTE \_\_\_\_\_ POSSIBLE MECHANICAL ABUSE? \_\_\_\_\_

OPERATING TEMP. LIMITS \_\_\_\_\_ (MAX.)- \_\_\_\_\_ (MIN.)

PLEASE LIST ANY SPECIAL CONDITIONS. \_\_\_\_\_

COMPANY: \_\_\_\_\_

STREET: \_\_\_\_\_

CITY \_\_\_\_\_ STATE \_\_\_\_\_ ZIP: \_\_\_\_\_

CONTACT: \_\_\_\_\_

TEL: \_\_\_\_\_

FAX: \_\_\_\_\_

## GAGNE, INC.

41 Commercial Drive, Johnson City, NY 13790

Ph: (607) 729-3366 Fax: (607) 729-7644

Ph: (800) 800-5954

or visit our website at [www.gagneinc.com](http://www.gagneinc.com)

(See reverse side)